



Your Solutions Partner

Specifications

F.O.B. Sedalia, Missouri 65301



Pans Not Included

HS2-34 SHOWN

OPTIONAL ITEMS:

- Front and Rear Timer Bars
- Lids
- Pans
- Drain Shelves



DUKE MANUFACTURING CO.
 2305 N. Broadway
 St. Louis, MO 63102
 800.735.3853 Toll Free
 314.231.5074 Fax
 www.dukemfg.com

SS-1004 HS2 Holding Unit

Specification subject to change



WARNING: Cancer and Reproductive Harm -
www.p65warnings.ca.gov

Approval Stamp(s):

PRODUCT INFORMATION:

PROJECT: _____
 ITEM: _____
 QUANTITY: _____

MODEL:

Product Holding Unit - HS2

- HS2-22 2 down, 2 across
- HS2-23 2 down, 3 across
- HS2-24 2 down, 4 across
- HS2-34 3 down, 4 across
- HS2-42 4 down, 2 across

CONTROLS:

- Allows operator to set time decrement for each pan
- Cook time warning allows for timely replenishment
- Improved display shows item being held
- Easy to reconfigure pan settings with flash drive programming feature from web based program site

BODY:

- Stainless Steel Exterior construction for durability and ease of construction
- Robust metal cover eliminates the cost and hassle of plastic lids.
- Fully sealed, user replaceable timer bars that are designed for cleanability.
- Eliminate faceplate cracks with new stainless steel construction
- Sturdy, fully sealed shelves to prevent grease migration

HEATING:

- Shelf or Zone (2X3, 2x4 & 3x4 only) wells for customized heating solutions
- Quick heat up approximately 20 minutes

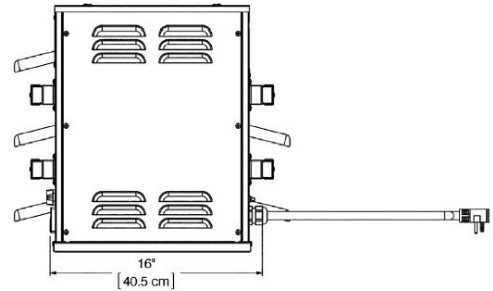
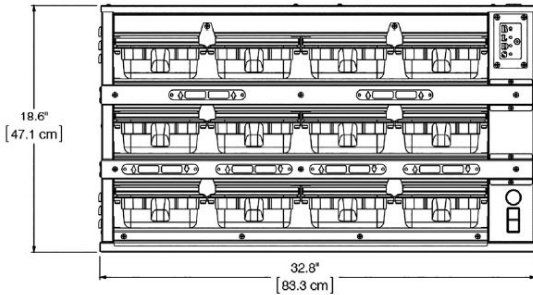
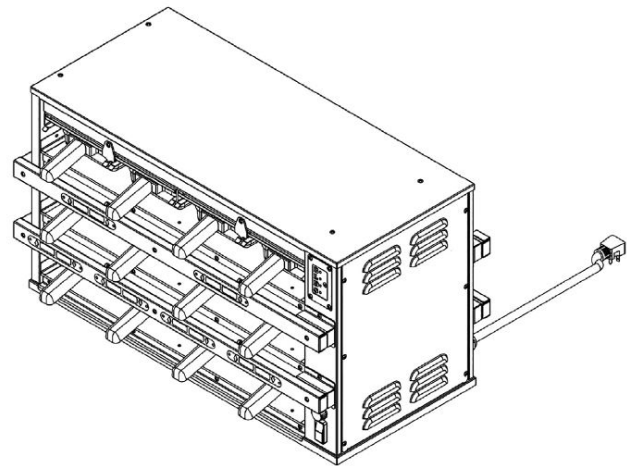
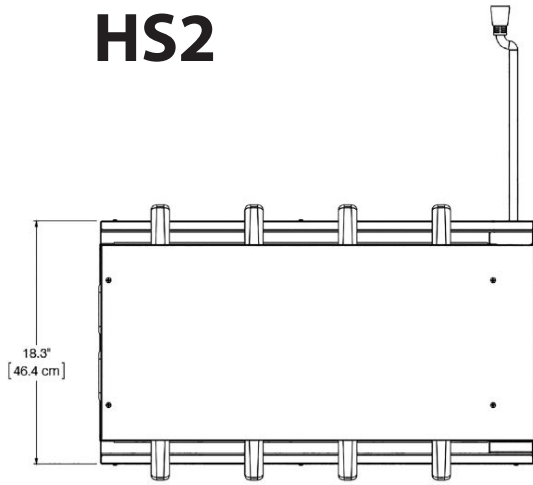
PRODUCT HOLDING UNIT - HS2

Catalog No. PHU-HS2

A.I.A. File No. 35-C-13

REV E 04/06/2020

HS2



HS2-34 SHOWN

ELECTRICAL:

| Model | 120 Volt - 50/60 | | 208/240 Volt - Hz 50/60 | | 220/240 Volt - Hz 50/60 | |
|--------|------------------|-------|-------------------------|-------|-------------------------|-------|
| | Amps | NEMA | Amps | NEMA | Amps | IEC |
| HS2-22 | - | - | 8.7/7.5 | 6-15P | 8.2/7.5 | 60309 |
| HS2-23 | - | - | 8.7/7.5 | 6-15P | 8.2/7.5 | 60309 |
| HS2-24 | - | - | 12.0/10.0 | 6-15P | 11.0/10.0 | 60309 |
| HS2-34 | - | - | 17.3/15.0 | 6-20P | 16.0/15.0 | 60309 |
| HS2-42 | 14.5 | 5-20P | 12.0/10.0 | 6-15P | 11.0/10.0 | 60309 |

DIMENSIONS:

| Model | Height | | Width* | | Depth | | Crated Ship Weight | |
|--------|--------|------|--------|------|-------|------|--------------------|----|
| | in | cm | in | cm | in | cm | lbs | kg |
| HS2-22 | 12.9 | 32.8 | 18.7 | 47.4 | 18.3 | 46.5 | 84 | 38 |
| HS2-23 | 12.9 | 32.8 | 25.7 | 65.3 | 18.3 | 46.5 | 101 | 46 |
| HS2-24 | 12.9 | 32.8 | 32.8 | 83.3 | 18.3 | 46.5 | 117 | 53 |
| HS2-34 | 18.6 | 47.2 | 32.8 | 83.3 | 18.3 | 46.5 | 162 | 74 |
| HS2-42 | 24.2 | 61.5 | 18.7 | 47.4 | 18.3 | 46.5 | 126 | 57 |

* NOTE: Units with louvers add the following to width: **Domestic** +.20" (.508 cm) **International** + .55" (1.34cm)



Duke Manufacturing Co.
2305 N. Broadway
St. Louis, MO 63102

Phone: 314-231-1130
Toll Free: 1-800-735-3853
Fax: 314-231-5074

www.dukemfg.com