

Upright Cabinets

T-23-2-HC

Upright Foodservice Refrigerator, 2 Half Solid Swing Doors



| Dimensions | | Build | | Technical | |
|------------------------------------|---|-----------------------|---|-----------------------------|--|
| External Width (mm) | 686 | Door Description | 2 Half Solid Swing Doors | Temperature Holding | 0.5 : 3.3°C |
| External Depth (mm) | 750 | Door Opening | Right (standard) or Left. | Refrigerant | R290 |
| External Height (mm) | 2074 | Exterior Construction | Stainless steel front, aluminium sides & rear | Voltage / Frequency / Phase | 220-240V/50-60Hz/1 |
| Exclusions | Depth does not include 13 mm for rear access panel. | Interior Construction | Clear coated aluminium, stainless steel base | Amps | 1.3 |
| Net Volume (Litres) | 438 | Air Intake Position | Front | Wattage | 299 |
| Gross Volume (Litres) | 651 | Ventilation Position | Rear | Climate Class | 5 |
| Supplied Shelves | 4 | Clearance Required | 26 mm rear, zero sides | Operating Statement | Heavy Duty: This appliance is intended for use in ambient temperatures up to 40°C. |
| Shelf Size (L x D mm) | 582 x 591 | Cord Length (Meters) | 2.74 | Testing Standard | EN 16825 |
| Internal Net Height (mm) | 1300 | Internal Lighting | LED | EEC | C |
| Unpackaged Weight (kg) | 114 | Standard w/ Locks | standard | EEl | 36.8 |
| Packaged Weight (kg) | 125 | | | kWh/24hr | 1.34 |
| Packaged Dimensions (W x D x H mm) | 909 x 788 x 2134 | | | kWh/Annum | 489 |
| Supplied Supports | ø 64 mm castors (83 mm height) | | | Defrost Type | Auto |



Specifications subject to change without notice.
Chart dimensions rounded up to the next whole millimeter (inches rounded up to the 1/8")

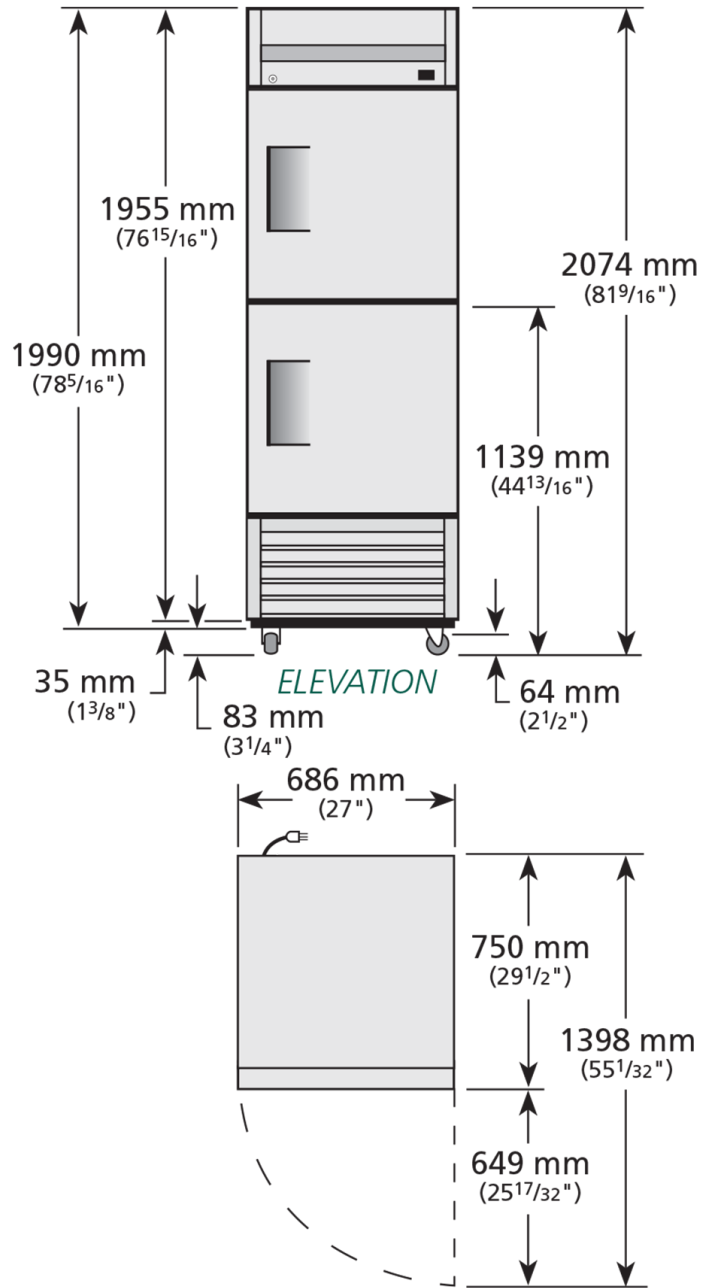
UK & Ireland [0800 783 2049](tel:08007832049)
 EMEA [+41 61 563 07 05](tel:+41615630705)
 Australia [+61 2 9619 9999](tel:+61296199999)

TFIUK@truemfg.com
TrueCHCustomerService@truemfg.com
TrueRefAus@truemfg.com



T-23-2-HC

Upright Foodservice Refrigerator, 2 Half Solid Swing Doors



Specifications subject to change without notice.
Chart dimensions rounded up to the next whole millimeter (inches rounded up to the 1/8")

UK & Ireland 0800 783 2049
EMEA +41 61 563 07 05
Australia +61 2 9619 9999

TFIUK@truemfg.com
TrueCHCustomerService@truemfg.com
TrueRefAus@truemfg.com

